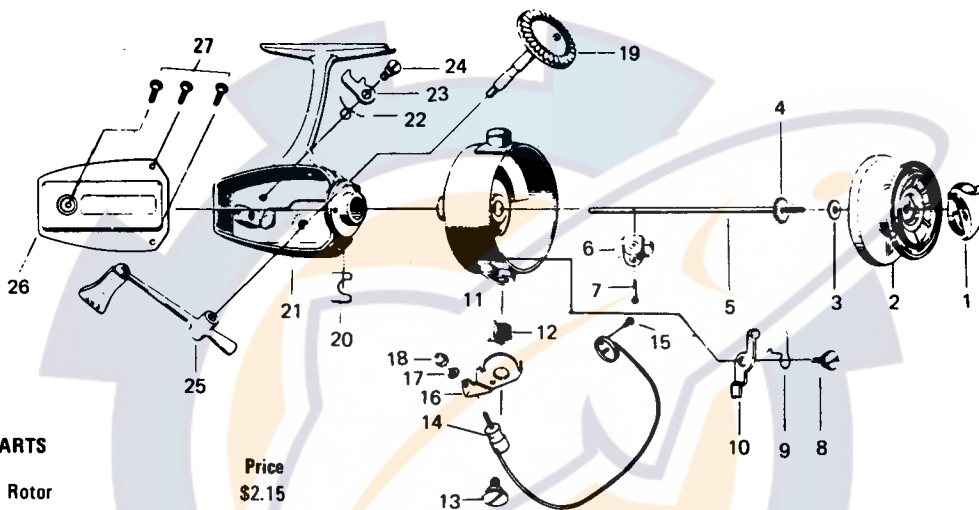




**DAIWA**

SPINNING REEL

**7290c**  
**7290D**



**7290D SPECIAL PARTS**

Part No.	Parts Name	Price
11	67352701 Rotor	\$2.15
14	67254001 Bail	1.25
15	63517001 Bail holder screw	.50
18	63419901 Bail nut	.50
21	67003801 Body	2.50
24	63522501 Anti-reverse claw screw	.50

**LINE CAPACITY: 250 YDS., 8 LB. TEST**

Key No.	Parts No.	Parts Name	Price	Key No.	Parts No.	Parts Name	Price	Key No.	Parts No.	Parts Name	Price
1	64409521 (4495)	Drag knob	\$ .50	10	65705551 (5755a)	Bail kick lever	\$ .50	19	64118301 (41183)	Drive gear	\$ .90
2	60083821	Spool assembly	3.50	11	60049721 (A00497)	Rotor	2.25	20	63725801 (37258)	Pinion retaining washer	.50
3	63746402	Spool washer	.50	12	61409221 (1492a)	Bail spring	.50	21	60049841 (A00498)	Body	2.50
4	62702822	Click gear	.50	13	63613931 (36139)	Arm lever screw	.45	22	61411581 (14115a)	Anti-reverse claw spring	.50
5	63916322	Main shaft	.50	14	60050022 (A00500)	Bail	1.25	23	61106701 (1167)	Anti-reverse claw	.50
6	64802011 (4820a)	Oscillating slider	.50	15	63517501 (35175)	Bail holder screw	.50	24	63517201 (35172)	Anti-reverse claw screw	.50
7	64904301 (4943)	Oscillating slider pin	.50	16	62307011 (2370)	Arm lever	.50	25	60079211	Handle	1.50
8	63611512 (36115a-2)	Bail kick lever screw	.50	17	61600121 (1601b)	Bail washer	.50	26	67055601	Body cover	.50
9	61406231 (1462b)	Bail kick lever spring	.50	18	63402011 (3420a)	Bail nut	.50	27	63520401 (3520a)	Body cover screw	.50

ALWAYS SPECIFY MODEL NO., PART NAME & PARTS NO. WHEN ORDERING PARTS  
PLEASE ENCLOSE CORRECT AMOUNT FOR PART'S PRICE WHEN ORDERING